

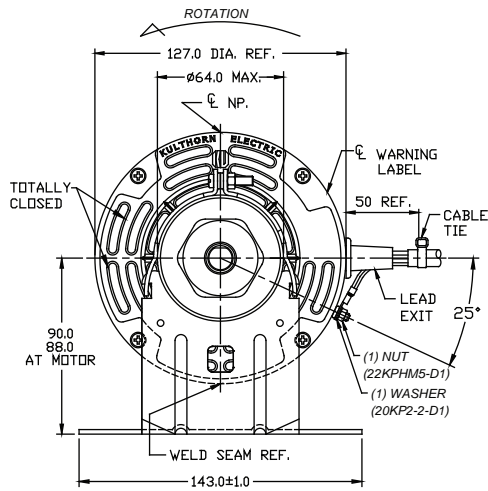
KDN4-16-4000

OUTPUT : 100W

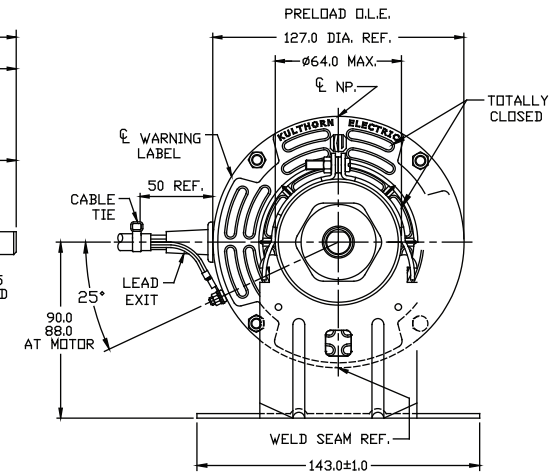
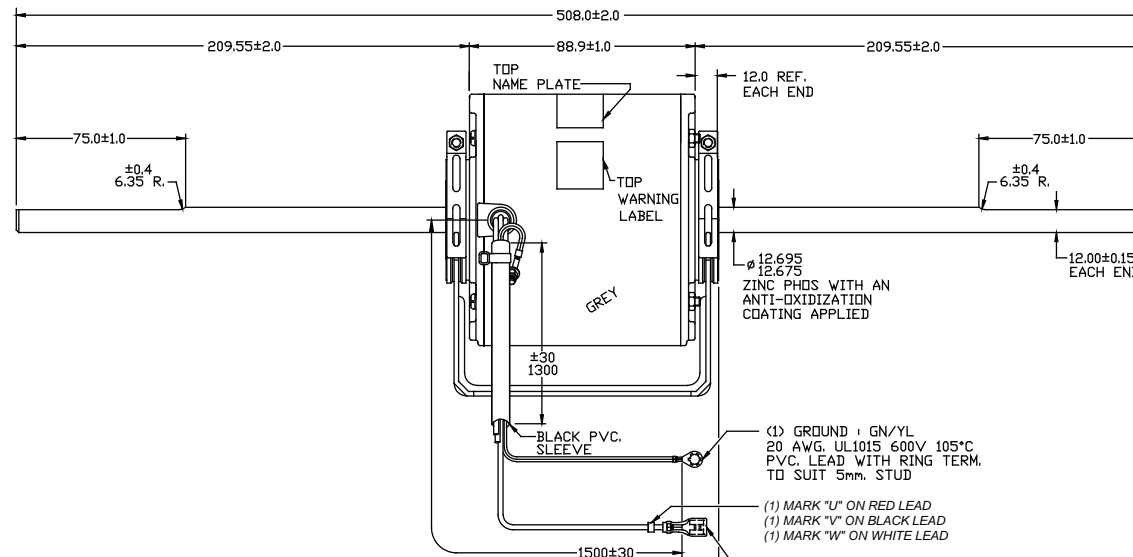
Rotation : CCWLE

Weight : 2.30 kg.

Unit : Millimeters



LEAD END VIEW



OPPOSITE LEAD END VIEW

